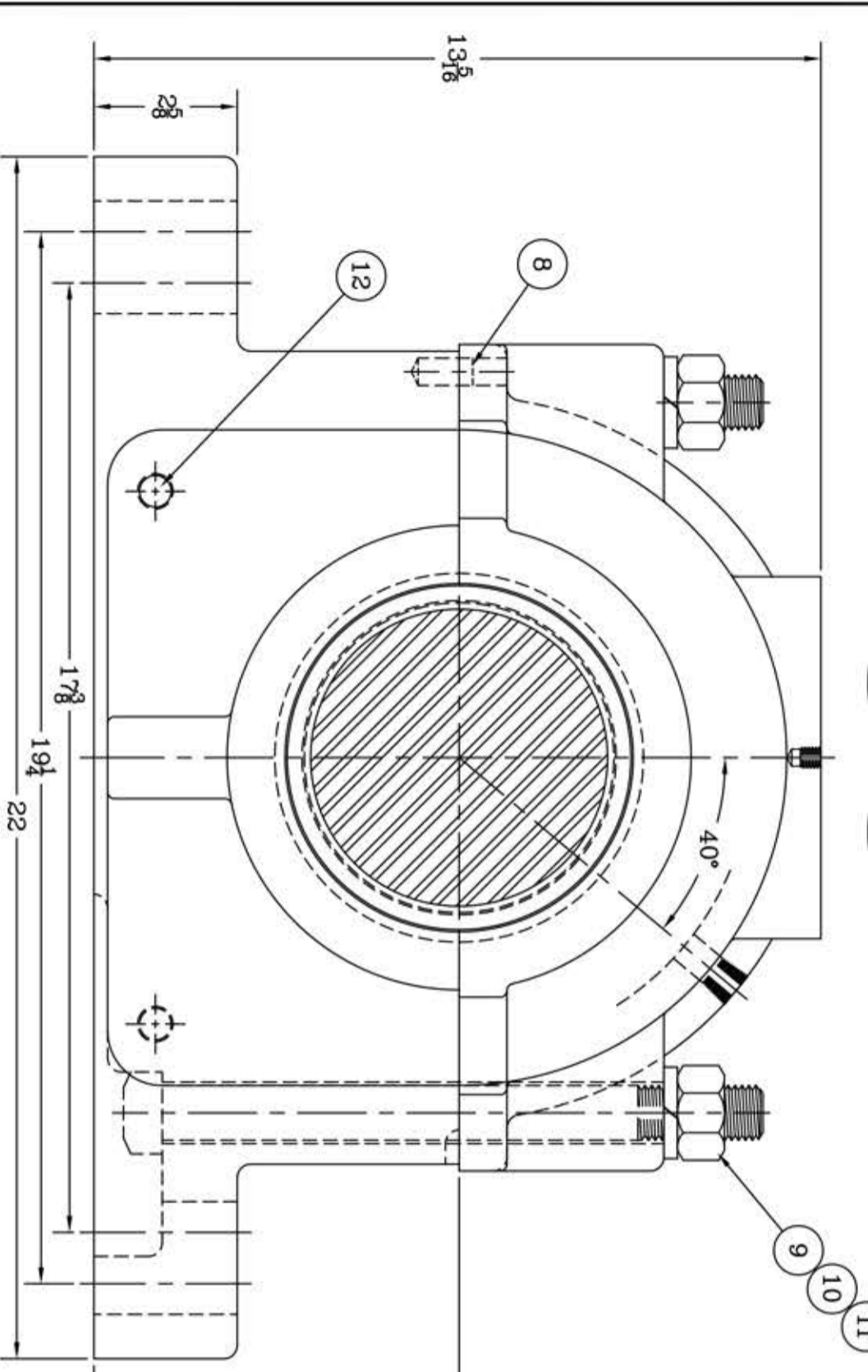
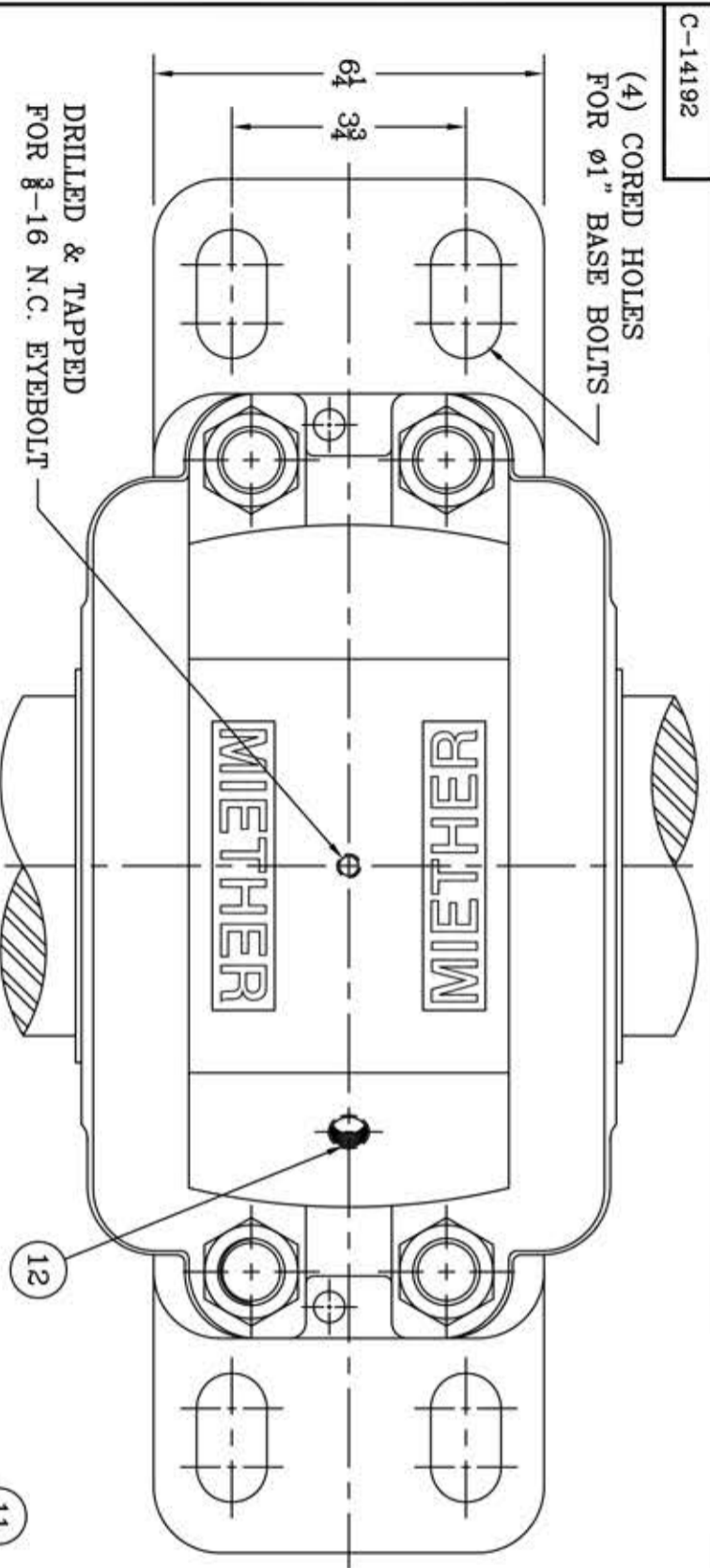


This drawing is the sole property of Miether Bearing Products and contains confidential and proprietary information. It is being provided to you for your use and may not be disclosed to any third party or used for any other purpose without Miether's prior written consent. The [materials] must be returned to the Company upon its demand. Your acceptance of these materials constitutes your acceptance of the foregoing terms.

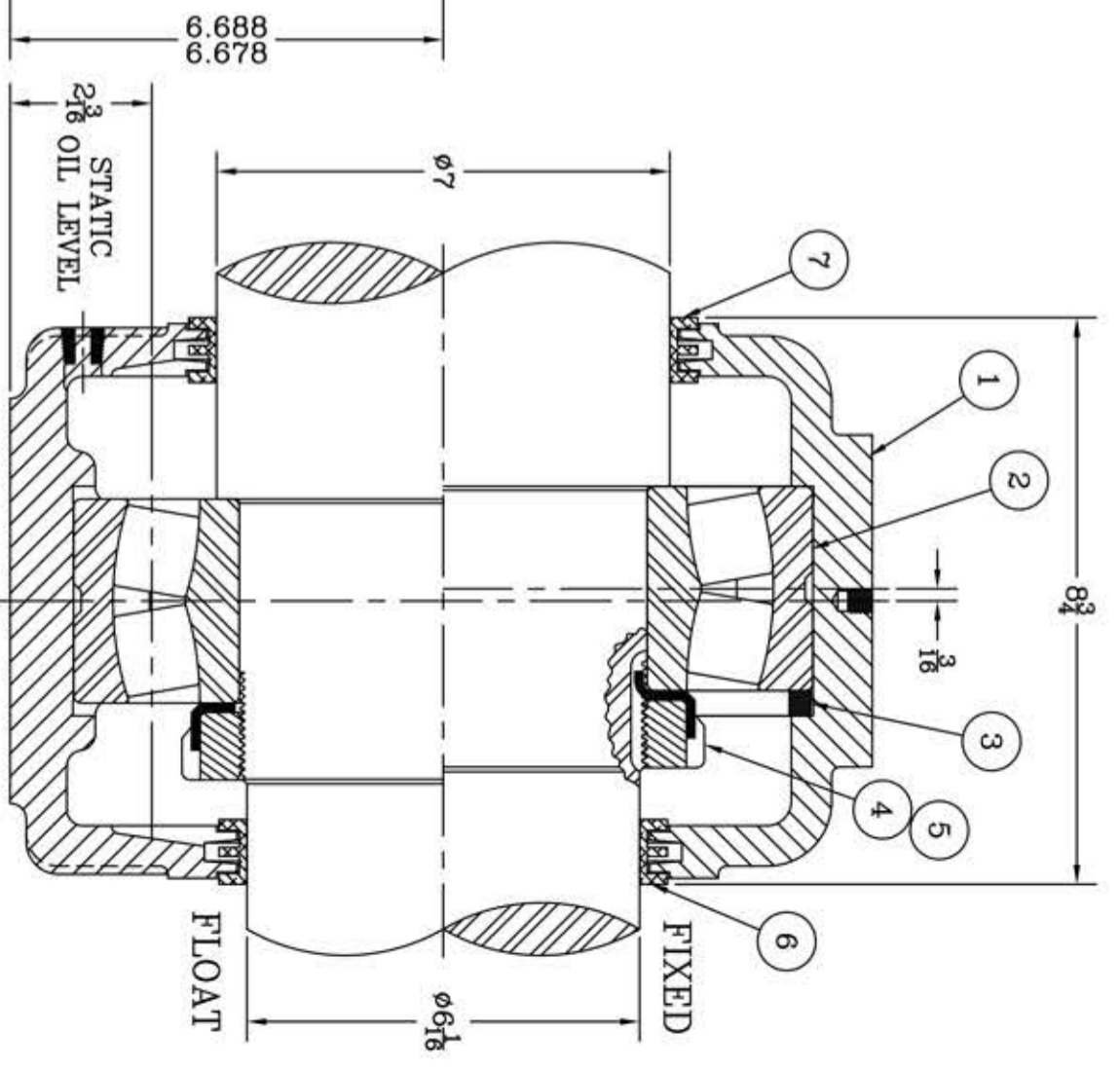
C-14192

(4) CORED HOLES FOR $\phi 1$ " BASE BOLTS

DRILLED & TAPPED FOR $\frac{3}{8}$ -16 N.C. EYEBOLT



ITEM	DESCRIPTION	DETAIL	REQUIRED
1	HOUSING SAF 232	C-13141	1 1
2	SPHERICAL ROLLER BEARING	22232/W-33	1 1
3	STABILIZING RING SR-32-0	A-10608	1 0
4	LOCKNUT AN-32	B-10420	1 1
5	LOCKWASHER W-32	A-10582	1 1
6	TRIPLE SEAL RING LER-142	A-10640	1 1
7	TRIPLE SEAL RING LER-156	A-10588	1 1
8	DOWEL	$\phi \frac{1}{2}$ x 1" LONG	2 2
9	CAP BOLT SQUARE HEAD	1-8 NC x 11" LONG	4 4
10	CAP BOLT HEX. NUT	1-8 NC	4 4
11	LOCKWASHER	1" SPLIT MED.	4 4
12	PIPE PLUG	$\frac{3}{8}$ -18 NPT	3 3



REDRAWN FOR CONFORMITY
RWB per KAB
2-18-04

REVISIONS

SYMBOL	DESCRIPTION
C	CHANGED
D	DELETED
E	EDITED
F	FINISHED
G	GENERAL
J	JOB
K	KEY

TOLERANCE: UNLESS OTHERWISE SPECIFIED

FRACTIONS $\pm 1/32$ " ANGLES $\pm 0^\circ 30'$

DECIMALS $\pm .005$ WELD $\pm 1/16$ "

CASTING $\pm 1/16$ "

A.I.S.I. STANDARD FINISHES

MICRO-INCH VALUE	FINISH
16	C
32	D
63	E
125	F
250	G
500	J
1000	K

SAF 22232 07-00 x 06-01

ASSEMBLY DRAWING

SCALE HALF

DRAWN BAB

DATE 1/1/88

CHK:

ASSEMBLY NO.

DRAWING NO.

C-14192

AN ALCO INDUSTRIES COMPANY

BEARING PRODUCTS

ODESSA, TX. USA